

"QUICK UP" "PRE-DRILLED" KITS

All our Buildings, Roofports & Garage Kits come with several **pre-drilled** Screw Holes located in key locations to ensure correct positioning and easy as well as **no mistake assembly**

SIMPLE and VERY STRONG Construction

"ROOF TRUSSES"

slide over

Top Beam

"TRUSS TABS"

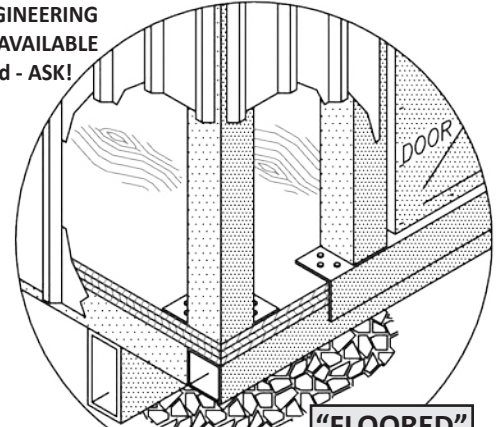
Sheeting

"Locks" the

joint together

Contractor Lic
#917851

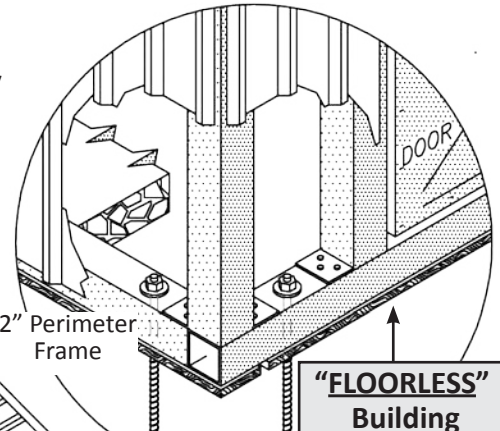
"STAMPED" ENGINEERING CALCULATIONS AVAILABLE if ever needed - ASK!



"FLOORED" Building

A few **GRAVEL PADS** placed directly on Earth every 2' to 4' apart for the Main Beams to sit on is all that's needed for "FLOORED" Building support

FACTORY PRE-DRILLED GUIDE HOLES gives easy, fast DIY Assembly



"FLOORLESS" Building

2" Perimeter Frame

Can be Anchored and Sealed to existing Concrete, Asphalt or to the Perimeter Frame or can be simply "Spiked" to earth and filled with 2" of Gravel* or make Plywood Floor
*use with "Vapor Barrier"

Note: All our Structures **comply with all 2010 "CBC" and "UBC" Building Codes** for over **90 MPH WIND** and Latest **SEISMIC CODES**

Note: "Snow Roofs" - Ask!

Compare our Features versus Value to **Lowe's®, Tuff Shed®, Home Depot®,** or Local Contractors

20 YEAR QUALITY REPUTATION

We use all **"SLIP JOINTS"**
NO WELDING or PAINTING required
Patents Pending

We use Heavy Duty 1-1/8" Tongue & Groove Plywood

FIRE & EARTHQUAKE SURVIVABLE

Sealing method guarantees security and damage from Mice, Insects and Dust



"Super Strong FACTORY FLOOR"

Provides Dry Floor **7" above Ground Level**
"NO FOUNDATION" is needed for our super strong **Factory Floored Buildings** - they easily hold any Vehicle, Heavy Machinery or equivalent

Note: Factory Floored Buildings can be temporarily anchored and "Drag" or Forklift moved at anytime



Livermore Sales & Display (925) 443-3161
1113 Greenville Rd - near LLNL

Questions, Quotes & Delivery (209) 984-3462
or **(209) 743-5319**

19266 Rawhide Road - Jamestown, CA 95327

visit our website **MooreRoom.com**